

## OPTIMUS PEDESTAL

OP12123, OP12126



OP12123



OP12126

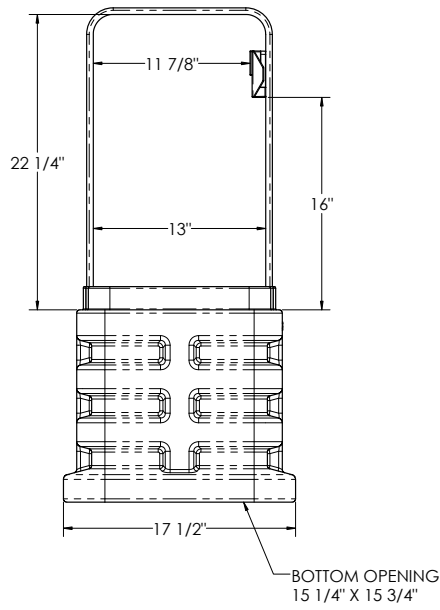


Channell's Optimus Pedestal (OP) is the industry standard in Fiber Pedestal Enclosures. Channell's free-breathing pedestal enclosures are available in a wide range of sizes and configurations. They are constructed of rugged, high-performance thermoplastic material and designed to be craft-friendly.

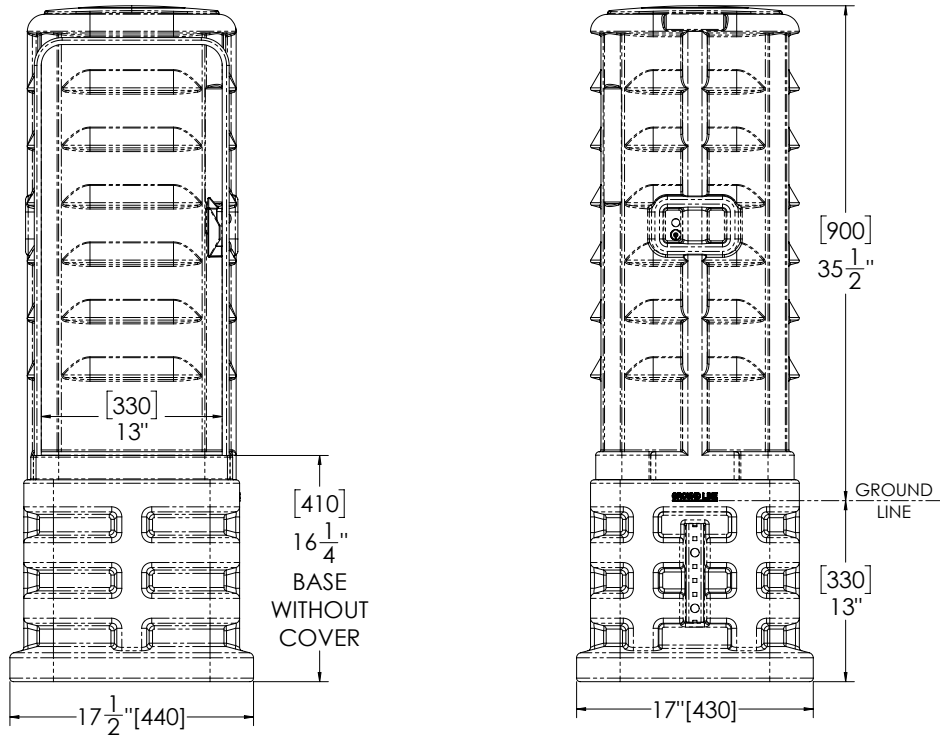
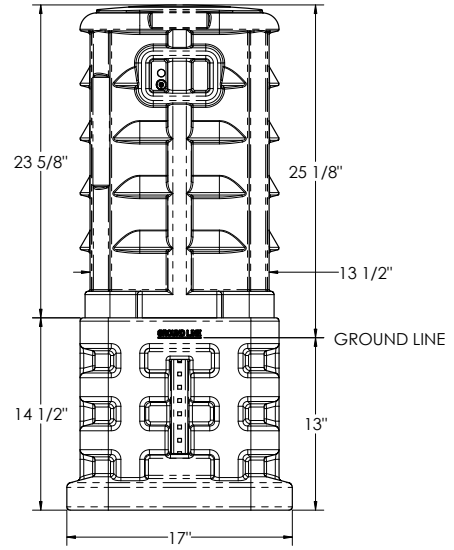
### FEATURES

- Fully modular and designed to support a full range of both broadband and narrowband network applications for copper, coax, and hybrid fiber/coax system installations
- Engineered to be cost effective for both new installations and future upgrade programs, OP Series enclosures provide configurations for splicing, cable management, and loop electronics deployments
- Robust main frame supports accommodate multiple conduit entrances and provide a solid mounting foundation without the need of additional mounting stakes

# PRODUCT DIMENSIONS



OP12123



OP12126

# TESTING SPECIFICATIONS

- Designed to meet Bellcore GR-13 requirements and feature full 360 degree working access with Channell's Self-Lock self-latching cover system. Channell's Heat Dissipation Covers (HDC) safeguard the performance of enclosed electronic equipment.

## PART NUMBER MATRIX

	OP	1212	X	CX	BX	LXX	AXX
Optimus Pedestal	_____						
Width	_____						
Depth	_____						
Cover Type	_____						
3	300 or Short Series						
6	600 Series						
Color	_____						
C1	Light Green						
C2	Beige						
C3	Dark Green						
Bracket Option	_____						
B1	Dual Offset Fiber Tab Brackets + Strand Bar (No Ground Bar)						
B2	Dual Offset Fiber Tab Brackets + Strand Bar with Ground Bar						
B3	RFOG Pedestal Insert, G4						
B4	RFOG Pedestal Insert, G5						
B5	Fiber Management Brackets G4...(no ground)						
B6	Fiber Management Brackets G4...with Ground Bar						
B7	Fiber Management Brackets G5...(no ground)						
B8	Fiber Management Brackets G5...with Ground Bar						
B9	Slack Storage Brackets						
BA	Slack Storage Brackets with Ground Bar						
BB	Dual Offset Fiber Tab Brackets + Strand Bar + Tilt (No Closure Brkt)						
BC	Dual Offset Fiber Tab Brackets + Strand Bar + Tilt (No Closure Brkt) w/ Ground Bar						
BD	Strand Bar Only (No Ground Bar)						
BE	Strand Bar Only, with Ground Bar						
Locking Option	_____						
L01	Self Lock, Standard Brass Key						
LB1	LB Pattern Self Lock						
LH1	Hex Self Lock						
Adder/Option	_____						
A08	Cover w/Anti-Insect (Dual Cut) Vents						



**CHANNELL**

Where The Industry Connects.

[www.channell.com](http://www.channell.com)

All specifications subject to change without notice. © 2024 Channell Commercial Corporation. All rights reserved.